



www.sedec.com

Premium Vet

Variable Focal Distance Systems - SLIDING Column



SPECIFICATIONS

High Frequency X-ray Generators

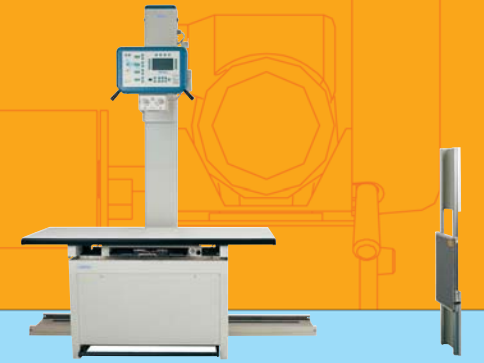
| CONSTANT POTENTIAL POWER RATINGS (*) | 16 kW | 20 kW | 32 kW |
|---|--|--|--|
| kVp RANGE in 1 Kvp STEPS accuracy | 40 a 125 ±(5%+1kVp) | | |
| mA STATIONS accuracy | 10, 12,5, 16, 20, 25, 32, 40, 50, 64, 80, 100, 125, 160, 200 ±(5%+0.1 mA) | 10, 12,5, 16, 20, 25, 32, 40, 50, 64, 80, 100, 125, 160, 200, 250, 320 ±(5%+0.1 mA) | 10, 12,5, 16, 20, 25, 32, 40, 50, 64, 80, 100, 125, 160, 200, 250, 320 ±(5%+0.1 mA) |
| EXPOSURE TIME RANGE accuracy | 0.001 - 10 seconds ±(1%+0.1 ms) | | |
| mAs RANGE | 0.1 - 500 mAs | | |
| AUTOMATIC EXPOSURE CONTROL (A.E.C.) | OPTIONAL | | |
| DEDICATED ANATOMICAL PROGRAMMER (APR) FOR VETERINARIANS | STANDARD - (330 ANATOMIC VIEWS) | | |
| X-RAY TUBE - ROTATING ANODE (2,850 r.p.m.) (50 Hz) (3,300 r.p.m.) (60 Hz) | FOCAL SPOTS: 1.0/2.0 mm | | |
| LINE VOLTAGE and PHASES | 208-240 (Single/Three Phase) | 400-480 (Three Phase) | 50-60 Hz |
| FOCAL FILM DISTANCE RANGE | 260 - 1250 mm (3.9 - 49.2 inches) TO THE TABLE TOP / 400 - 1920 mm (15.7 - 75.6 inches) TO THE FLOOR (SMOOTH and CONTINUOUS ADJUSTMENT) | | |
| SLIDING COLUMN POSITIONING | MANUAL with ELECTROMAGNETIC BRAKES | | |
| TOTAL WEIGHT (X-ray Generator included) | 408 kg (899 lb.) | | |
| 2 m (6 FT) TABLE TOP WALL MOUNTING / PEDESTAL CONSOLE | OPTIONAL | | |
| RECIPROCATING BUCKY | OPTIONAL | | |
| FLUOROSCOPY | N.A. | OPTIONAL | OPTIONAL |
| (*) X-ray Generators available at 40 kW, 50 kW, 64 kW and 80 kW power levels. | | | |



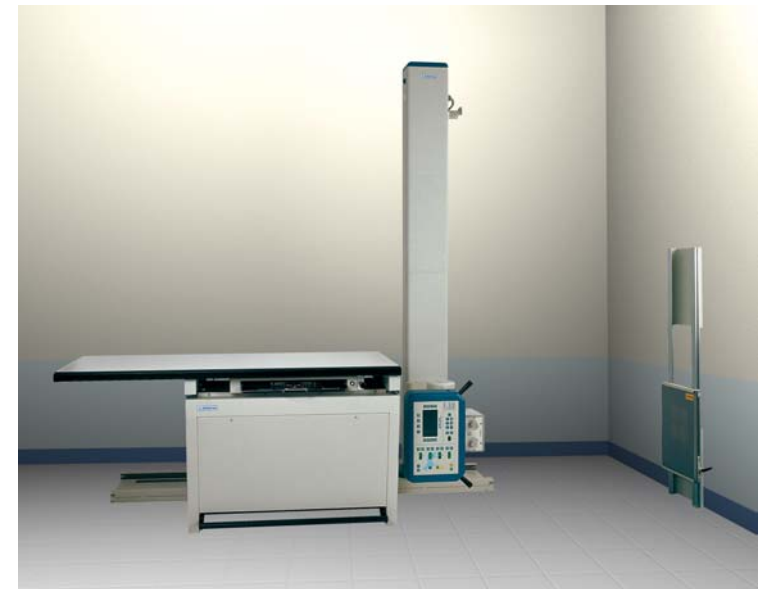
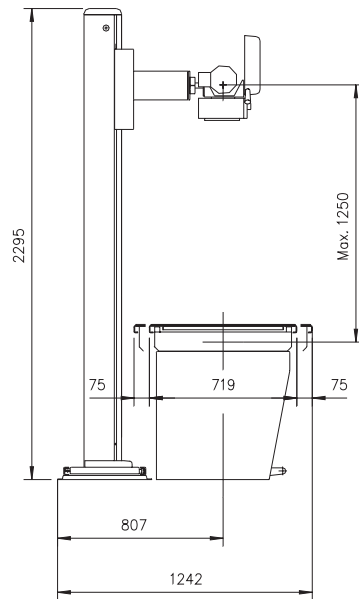
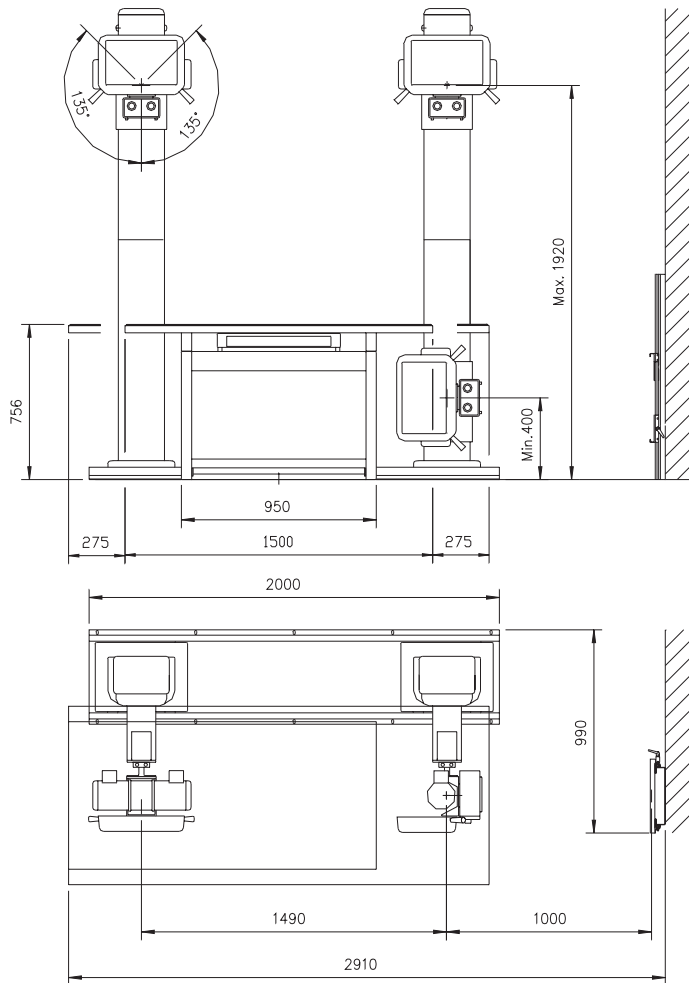
www.sedec.com

Premium Vet

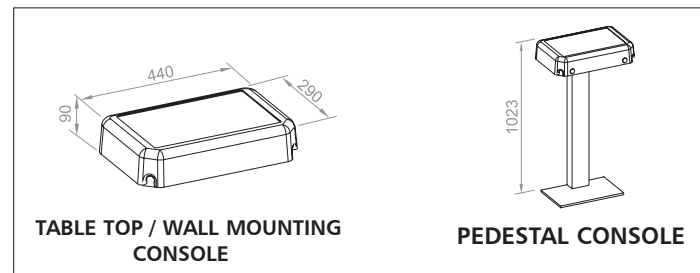
Variable Focal Distance Systems - SLIDING Column



Dimensions



FOOTPRINT: 4.2 m² (EQUIPMENT + ACCESS AREA) (45.3 sq. Ft.)



Specifications subject to change without prior notice